

March 23 , 1926.

Des. 69,735

A. J. BENNETT

GLASS BOWL OR SIMILAR ARTICLE

Filed Jan. 6, 1926

FIG 1

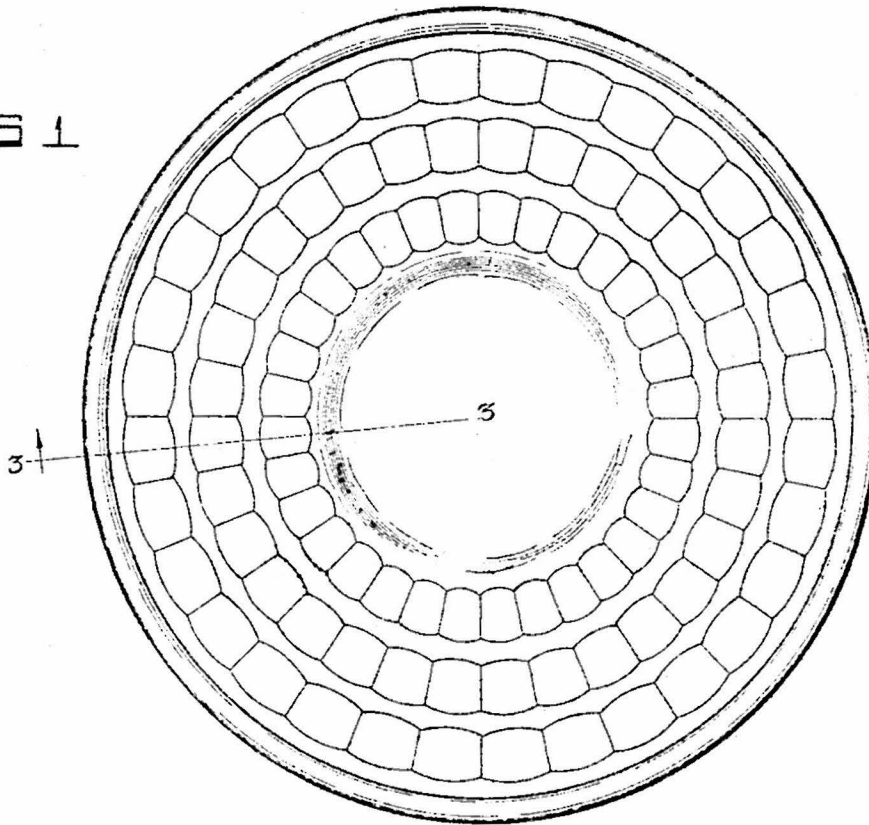


FIG 2

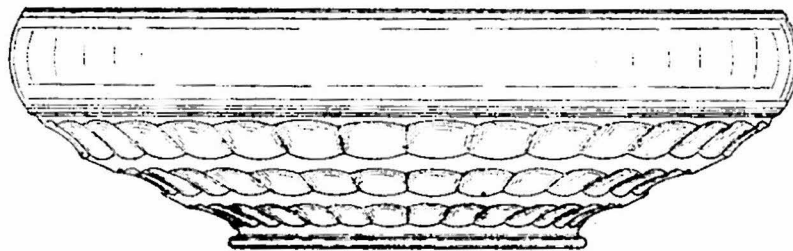
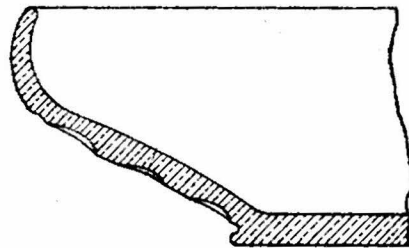


FIG 3



INVENTOR

Arthur J. Bennett.

BY

A. E. Decker
ATTORNEY

UNITED STATES PATENT OFFICE.

ARTHUR J. BENNETT, OF CAMBRIDGE, OHIO.

DESIGN FOR A GLASS BOWL OR SIMILAR ARTICLE.

Application filed January 6, 1926. Serial No. 15,973. Term of patent 7 years.

To all whom it may concern:

Be it known that I, ARTHUR J. BENNETT, a citizen of the United States of America, and resident of Cambridge, county of Guernsey, and State of Ohio, have invented a new, original, and ornamental Design for a Glass Bowl or Similar Article, of which the following is a specification, reference being had to the accompanying drawings, in which—

Figure 1 is a top plan view of a bowl, showing my new design; and

Figure 2 is a side elevation of the same;

Figure 3 is a partial section on line 3—3.
Fig. 1.

I claim:

The ornamental design for a glass bowl or similar article, as shown.

ARTHUR J. BENNETT.